



**AP450Z**  
**Portable Air Conditioner**  
**Owner's Manual**

This owner's manual provides instructions on safe installation, use, and maintenance. Please read it carefully and save it for reference.



For information on EdgeStar and to view our full line of products, please visit our website:

**<http://www.edgestar.com>**

EdgeStar Products  
Box 81336  
Austin, Texas 78708-1336  
**Toll Free: 1-866-319-5473**



**<http://www.edgestar.com>**

NOTE: PLACE THE UNIT IN AN UPRIGHT POSITION FOR A MINIMUM OF TWO HOURS BEFORE OPERATING IT.

## Read all instructions before using this air conditioner

### Important Safety Instructions

#### For your safety

Do not store or use gasoline or other flammable vapors and liquids in the vicinity of this appliance or any other appliance, Read product labels for flammability or other warnings.

#### Prevent accidents

- To reduce the risk of fire, electrical shock, or injury to persons when using your air conditioner, follow basic precautions, including the following:
- Be sure your electrical circuit is adequate for the model you have chosen. This information can be found on the rating label, which is located on the rear of the unit.
- Be sure the air conditioner has been securely and correctly installed according to the installation instructions provided with this manual. Save this manual for future reference.

#### Electrical information

- The complete electrical rating of your new room air conditioner is stated on the rating label. Refer to the rating when checking the electrical requirements.
- Be sure the air conditioner is properly grounded. To minimize shock and fire hazards, proper grounding is important. The power cord is equipped with a LCDI grounding plug for protection against shock hazard.
- Your air conditioner must be used in a properly grounded wall receptacle. If the wall receptacle you intend to use is not adequately grounded or protected by a time delay fuse or circuit breaker, have a qualified electrician install the proper receptacle.
- If the power supply cord is damaged, it must be replaced by the manufacturer, service agent or a similarly qualified person in order to avoid a hazard.
- We do not recommend the use of an extension cord with this air conditioner.
- We recommend this appliance be run on a dedicated circuit.

## WARNING

### Electrical Shock Hazard

- Only plug unit into a grounded electrical outlet.
- Do not operate unit with any of the cabinet removed.
- Do not modify the power supply cord plug. If it does not fit outlet, have a proper outlet installed by a qualified electrician.

### OBTAINING WARRANTY SERVICE:

Contact EdgeStar for troubleshooting assistance and warranty service authorization at 1-866-319-5473. Please have your order receipt available to confirm the date of purchase. Once an EdgeStar authorized representative has confirmed that your product is eligible for warranty service, the product must be returned to an EdgeStar authorized repair facility. The purchaser is solely responsible for prepaying all shipping related costs to and from the repair facility.

EdgeStar is not responsible for damage resulting from shipper mishandling or improper packaging.

Do not return defective product to the place of purchase.

THIS WARRANTY IS IN LIEU OF ANY OTHER WARRANTY, EXPRESS OR IMPLIED, INCLUDING WITHOUT LIMITATION, ANY WARRANTY OF MERCHANTABILITY OR FITNESS FOR A PARTICULAR PURPOSE. TO THE EXTENT ANY IMPLIED WARRANTY IS REQUIRED BY LAW, IT IS LIMITED IN DURATION TO THE EXPRESS WARRANTY PERIOD ABOVE. NEITHER THE MANUFACTURER NOR ITS DISTRIBUTORS SHALL BE LIABLE FOR ANY INCIDENTAL, CONSEQUENTIAL, INDIRECT, SPECIAL, OR PUNITIVE DAMAGES OF ANY NATURE, INCLUDING WITHOUT LIMITATION, LOST REVENUES OR PROFITS, OR ANY OTHER DAMAGE WHETHER BASED IN CONTRACT, TORT, OR OTHERWISE. SOME STATES DO NOT ALLOW THE EXCLUSION OF INCIDENTAL OR CONSEQUENTIAL DAMAGES, SO THE ABOVE EXCLUSION MAY NOT APPLY TO YOU. THIS WARRANTY GIVES YOU SPECIFIC LEGAL RIGHTS. YOU MAY HAVE OTHER RIGHTS THAT VARY FROM STATE TO STATE.

## Limited Warranty

This EdgeStar product is warranted to be free from defective workmanship and materials for the first year following the date of original purchase. Replacement parts will be supplied free of charge for the first year following the date of original purchase. Labor will be performed free of charge for the first 90 days following the date of original purchase.

### WHAT IS COVERED:

This warranty applies to the original purchaser only, and only covers defects in workmanship experienced during operation of the product under normal service, maintenance, and usage conditions. This warranty applies to the purchase and use of this product in residential settings within the United States of America.

### WHAT IS NOT COVERED:

The following limitations apply to the coverage of this warranty:

Optional accessories, attachments, and appearance items are excluded from warranty coverage, as is shipping damage, and any damage caused by improper voltage or any other misuse, including abnormal service, handling, or usage.

This warranty does not cover normal wear and tear on parts or replacement of parts designed to be replaced, e.g. filters, etc.

This warranty does not cover service trips to deliver, pick-up, repair, or install the product, or to instruct in proper usage of the product.

Damages or operating problems resulting from abuse, operation outside environmental specifications, uses contrary to instructions provided in the owner's manual, accidents, vermin, fire, flood, improper installation, unauthorized service, acts of God, unauthorized installation or modification, or commercial use are excluded from warranty coverage.

This warranty does not cover labor incurred 91 days or more after the date of original purchase.

This warranty does not cover use of EdgeStar products in commercial settings.

### DESCRIPTION OF WARRANTY SERVICE:

All defective product components covered by this warranty will be repaired or replaced, at EdgeStar's option, free of charge on a mail-in basis to EdgeStar's authorized repair facility during the first 90 days from the date of original purchase.

All defective product components covered by this warranty will be repaired or replaced, at EdgeStar's option, on a mail-in basis to EdgeStar's authorized repair facility during the time period beginning on the 91<sup>st</sup> day from the date of original purchase and ending one year from the date of original purchase. During this time period, parts will be supplied free of charge, but labor charges will apply.

All replacement parts and units will be new, remanufactured, or refurbished.

All products and components replaced by EdgeStar under warranty service become the property of EdgeStar.

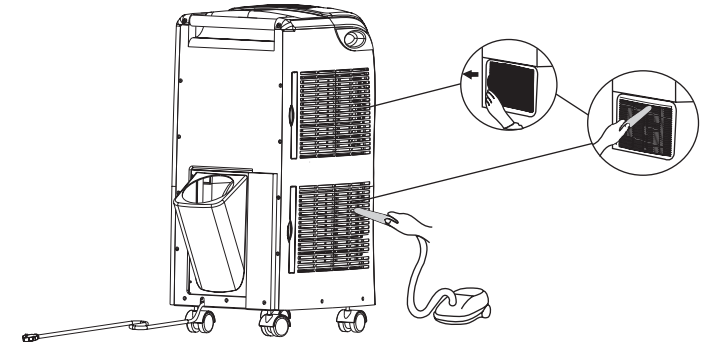
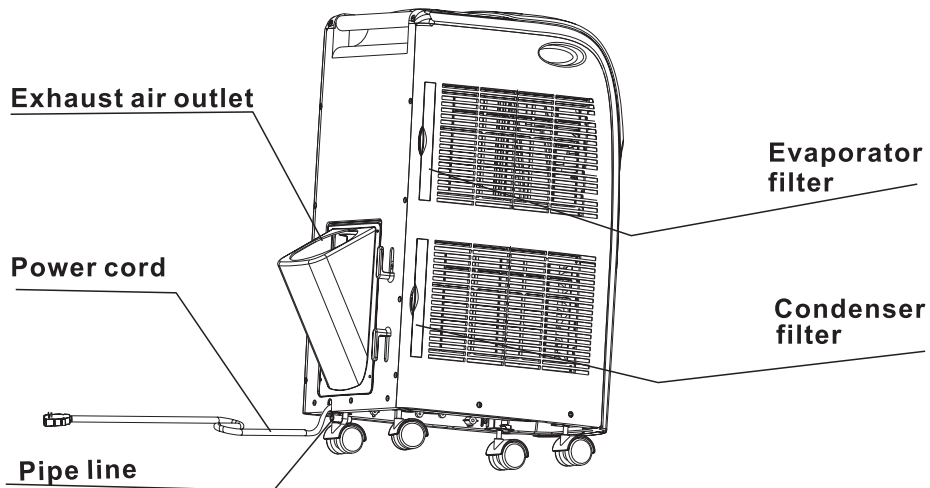
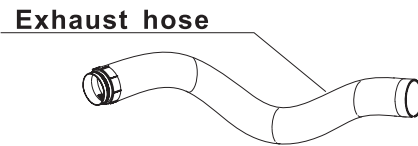
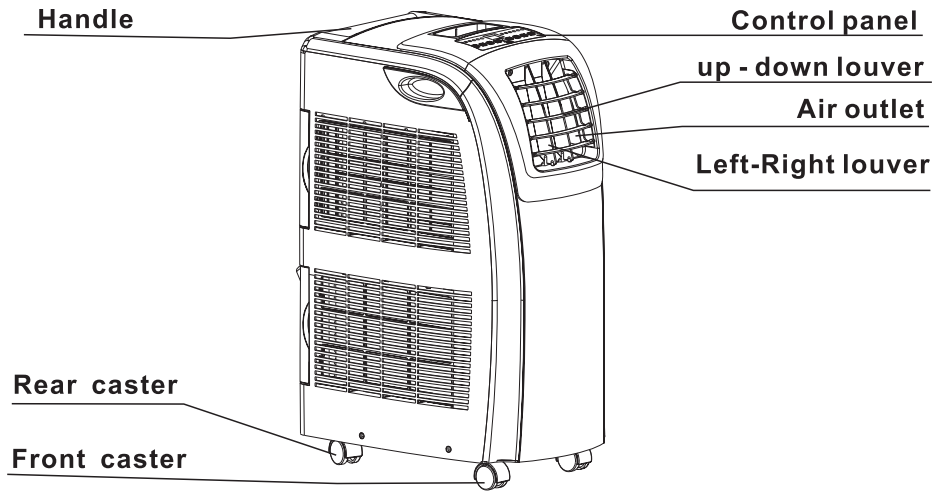
- Do not ground to a gas line.
- Do not have a fuse in the neutral or grounding circuit. A fuse in the neutral or grounding circuit could result in an electrical shock.

Failure to follow the above precautions could result in electrical shock, fire or personal injury.

### General suggestions

- Make sure the air conditioner has adequate ventilation (about 24") around it to ensure proper airflow into the room and proper heat exhaustion.
- Different rooms have different heat loads. Try to make sure that your air conditioner is the appropriate power for the heat load in your room.
- Close the fireplace damper floor and wall registers so cool air does not escape up the chimney and into the duct work.
- Clean the air filter as recommended in the section "Care and Cleaning".
- Hot air with a warm mist of water will be expelled out the exhaust hose- we suggest exhausting this portable air conditioner out a window or door, but make sure the environment into which the air is exhausted can adequately handle the hot air and warm mist.

## Parts and components



### Storage:

1. Remove water from the unit via the drain port.
2. Cover the unit with plastic or return it to the original carton.

**Note:** To prevent rust or electrical connections from being damaged, store the air conditioner in an upright position and dry place.

### Troubleshooting

#### Normal sounds:

##### Sound of rushing air:

At the front of the unit, you may hear the sound of rushing air being moved by the fan. Repositioning the louvers may improve this noise.

##### Thermostat clicking sound:

As cooling system cycles on and off, you may hear a "clicking" sound.

##### Gurgle /Hiss

"Gurgling or hissing" noise may be heard due to refrigerant passing through evaporation during normal operation.

##### Ping or swishing:

Droplets of water hitting condenser during normal operation may cause pinging or swing sounds.

##### Vibration:

Unit may vibrate and make noise because of poor floor or incorrect installation. Making sure the unit is level will minimize vibration.

##### High pitched chatter:

Today's high efficient compressors may have a high pitched chatter during the cooling cycle.

### Problem noises/issues

#### Loud rattling noises coming from the fan

Possible shipping damage or other damage to the unit. Please contact customer service at 866-319-5473.

#### Evaporator freezing up

The unit may not be powerful enough for the heat load in your room. Try the unit in a smaller/cooler room.

#### Unit not cooling enough

The unit may not be powerful enough for the heat load in your room. Try the unit in a smaller/cooler room.

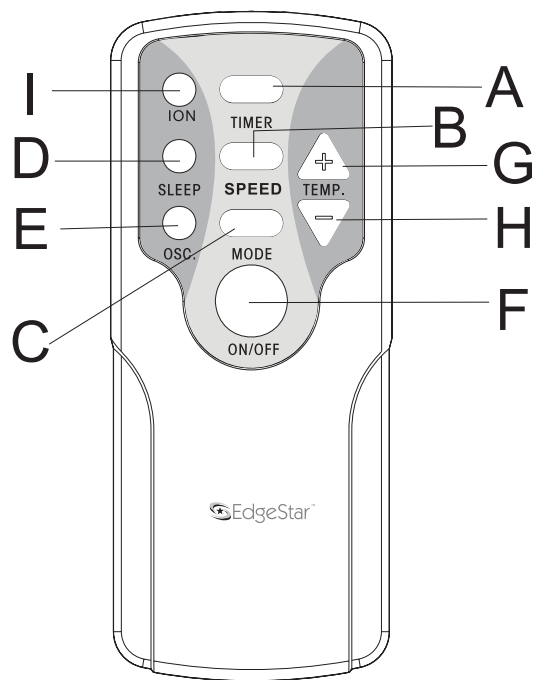
#### Unit will not turn on

Check the LCDI plug and hit the Reset button.

#### Any other problems

Please contact customer service at 866-319-5473.

# REMOTE CONTROL FUNCTION

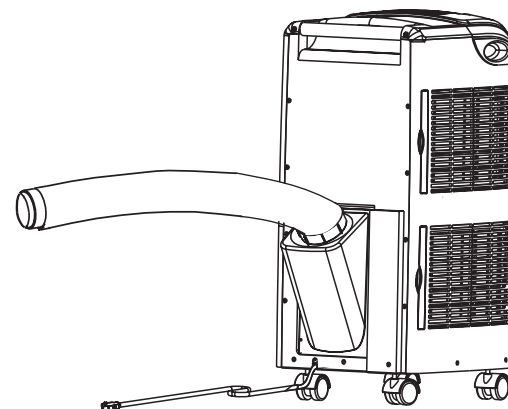


A.TIMER	Hourly programming switch
B.SPEED	Speed selector and automatic operation
C.MODE	Function "MODE" selector
D.SLEEP	Night operating selector
E.OSC.	<b>Turns the louver oscillation on or off</b>
F.ON/OFF	Turn on or turn off the appliance
G.UP(TEMP)	Set the temperature higher required
H.DOWN(TEMP)	Set the temperature lower required
I.ION	Ionizer selector

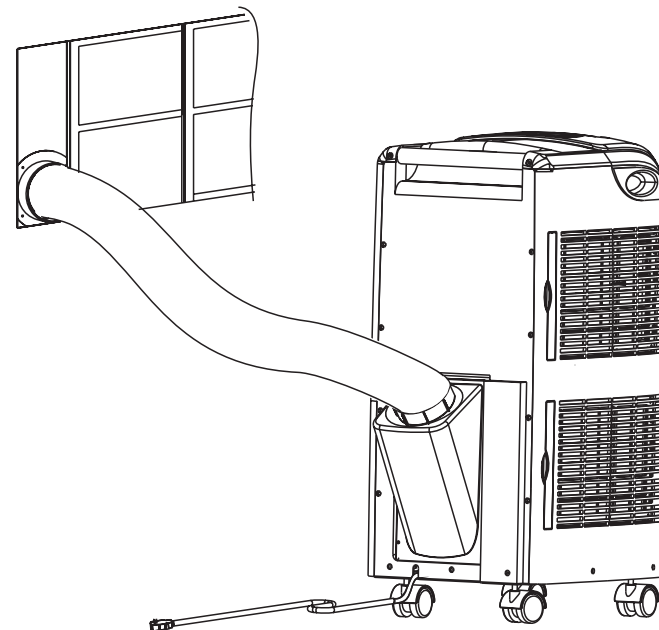
## Installation and use

### How to install the exhaust hose

Step 1. Connect the hose to the exhaust air outlet.

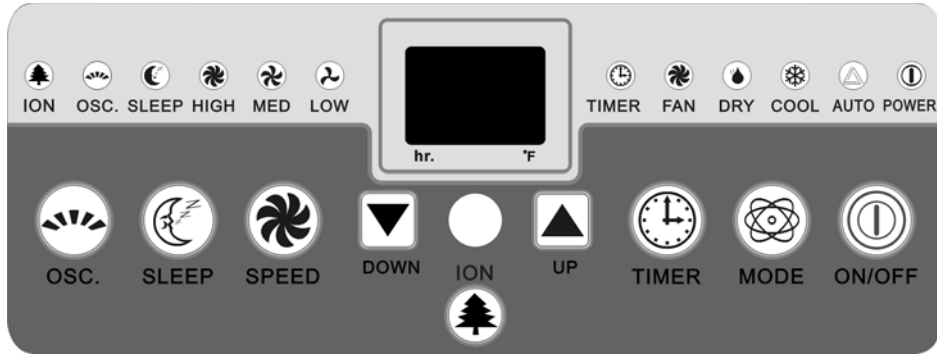


Step 2. Place the exhaust hose discharge outlet through the window, utilizing the window vent kit, if needed.





## Electrical Control panel



### ON/OFF. Starts or Stops the appliance

If power to the unit is interrupted, the unit will re-start automatically 3 minutes after power is resumed.

**NOTE:** If the Unit "beeps" several times in a row and the power light blinks, the internal safety shut-off has been activated and the unit must be drained. This is a rare occurrence and should rarely or never happen.

**MODE Control:** Select the functions of the unit for: AUTO, COOL, DRY and FAN. The appliance will go AUTO function the first time it is switched on and will remain in this mode until another program is chosen.

**AUTO (automatic mode):** press the MODE key to select AUTO, and the microprocessor will select an ideal temperature and optimal function. "AUTO" is shown on the display and the light comes on.

If the temperature of room is 76°F or above, "COOL" mode is activated automatically and the optimal fan speed is activated.

If the room temperature is 75°F or below, the "FAN" mode is selected automatically and the optimal fan speed is activated.

**COOL (cooling mode):** press the MODE key to select COOL and the "COOL" light will come on. USE the "UP" and "DOWN" keys to set the temperature desired. If the room temperature is higher than that selected, the appliance activates cooling. The compressor will start after 3 minutes (during which only the ventilation function is active)

If the room temperature is lower than that selected, the appliance activates the ventilation function.

**DRY (dehumidification mode):** press the MODE key to select DRY and the "DRY" light comes on.

The compressor will start and run for 10 minutes and stop for 4 minutes. The fan will go into middle speed first and thereafter the speed is adjustable.

**FAN (Ventilation key):** press MODE key to select FAN, and "FAN" indicator light comes on.

**SPEED option:** press the "SPEED" key to adjust the fan speed (High/Medium)

**TIMER (timer mode)** press the timer to program time and the "TIMER" light comes on while the timer is programmed.

Before programming, make sure that the timer function has not been activated (the light must be off)!

The following timer programs are available.

a) Delayed power-on function (when the appliance is in stand-by [off] status)

USE the "TIMER" keys to set the time period (0~24 hours)

The appliance will start once time reaches setting value.

b) Delayed power-off function (the appliances is in working status)

The appliance will stop once time reach setting value.

**SLEEP (sleeping mode):** To select "SLEEP", press the "SLEEP" key and the light will come on.

Once the SLEEP function is selected, the selected temperature required will be increase by 2°F each hour to maximum of 4°F over two hours and then maintain at that temperature for the balance of the time set.

**OSC. (oscillating function):** press the MODE key to select OSC. and the "OSC" light comes on.

Once the OSC is selected, louvers will be oscillating from left and right automatically.

**ION. (ionization function):** To select "ION", press the "ION" key and the light will come on.

**WATER EVAPORATION. This appliance has a patented Z-Spray condensate removal system.**

All water collected under normal operating conditions will be evaporated out the exhaust hose. Please note this means that the air coming out of the exhaust hose will be laden with water vapor and moisture droplets. Be mindful of this when choosing your location to vent this hot air.

Additionally, if the self-evaporation system is overcome by excessive moisture, the air conditioner will automatically shut off. The power light will blink and the air conditioner will beep repeatedly. Drain the tank by removing the black drain plug on the rear of the unit to restore normal operation.